



HOUSE OF ROHL

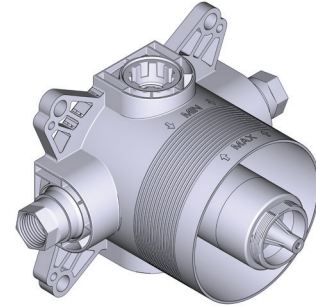
SPECIFICATIONS

DESCRIPTION

- Test cap
- Service valve
- Rough Only
- Two G 1/2" outlets
- Corresponding trim required to complete
- G1/2" female inlet

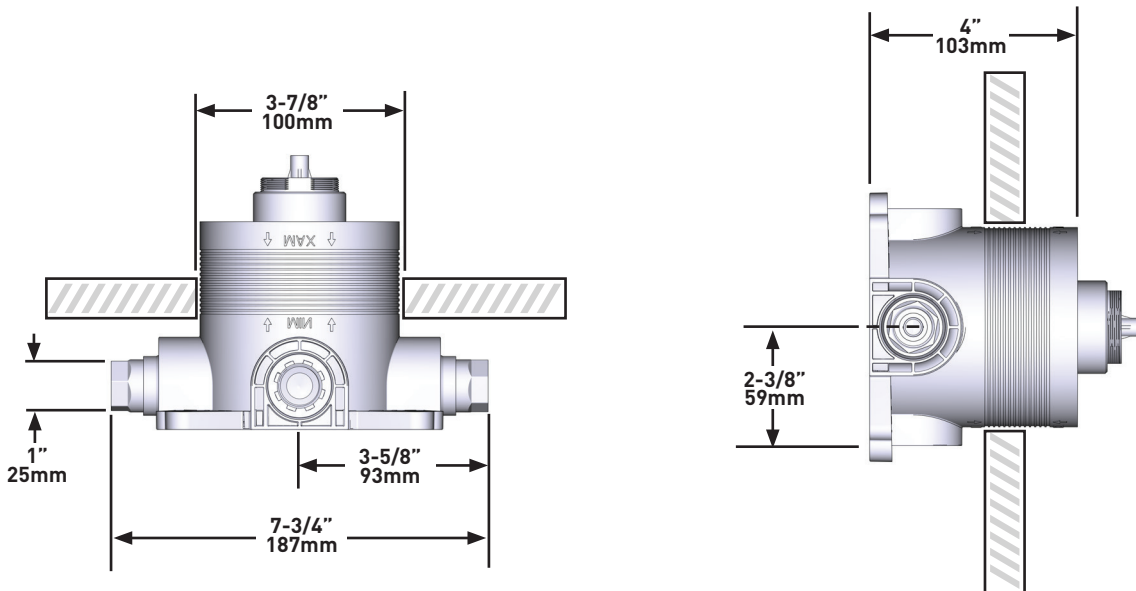
WARRANTY

- Visit www.houseofrohl.uk for more information



2-way Type T/P Coaxial Valve Rough

MODEL: R23-EM-IB



For care and cleaning, product warranty, and additional information contact:

US Customers

U.S.A.
houseofrohl.com/support
 1-800-777-9762

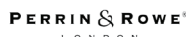
QUEBEC / MARITIMES / WESTERN CANADA
 QUÉBEC / MARITIMES / OUEST CANADIEN
 QUEBEC / MARITIMOS / CANADA OCCIDENTAL
houseofrohl.ca/support
 1-866-473-8442

Canadian Customers

ONTARIO
houseofrohl.ca/support
 1-800-287-5354

EMEA Customers

UNITED KINGDOM
www.houseofrohl.uk
 01952 221100





HOUSE OF ROHL

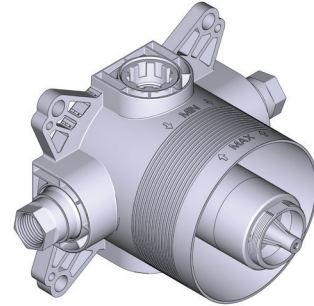
SPÉCIFICATIONS

LA DESCRIPTION

- Bouchon de test
- Vanne d'isolement
- Corps d'encastrement
- Deux sorties G 1/2"
- Garniture correspondante requise en complément
- Entrée G1/2" femelle

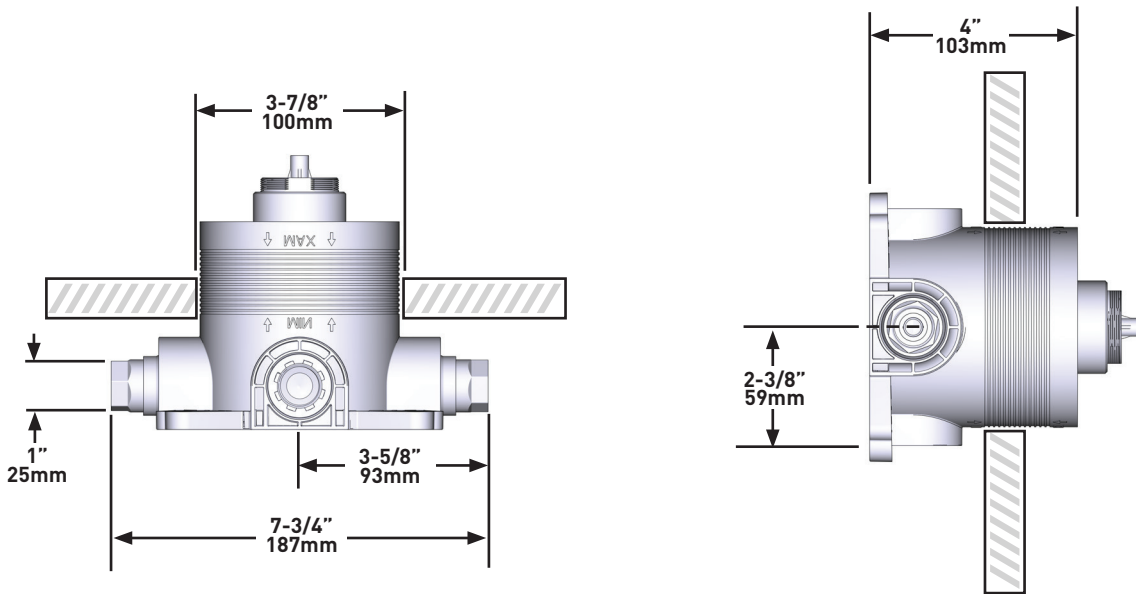
GARANTIE

- Pour davantage d'informations, rendez-vous sur www.houseofrohl.uk



Corps d'encastrement 2 voies cartouche coaxiel
Type T/P

MODÈLES: R23-EM-IB



For care and cleaning, product warranty, and additional information contact:

US Customers

U.S.A.
houseofrohl.com/support
1-800-777-9762

QUEBEC / MARITIMES / WESTERN CANADA
QUÉBEC / MARITIMOS / OUEST CANADIEN
QUEBEC / MARITIMOS / CANADA OCCIDENTAL
houseofrohl.ca/support
1-866-473-8442

Canadian Customers

ONTARIO
houseofrohl.ca/support
1-800-287-5354

EMEA Customers

UNITED KINGDOM
www.houseofrohl.uk
01952 221100





HOUSE OF ROHL

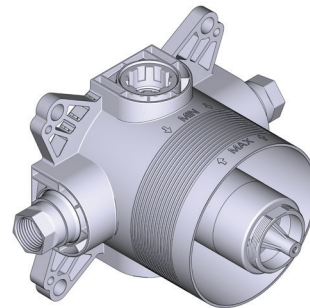
SPEZIFIKATIONEN

BEZEICHNUNG

- Testkappe
- Service-Ventil
- Nur Unterputz
- Zwei G-1/2"-Ausgänge
- Entsprechende Garnitur zur Vervollständigung erforderlich
- G1/2"-Einlass, weiblich

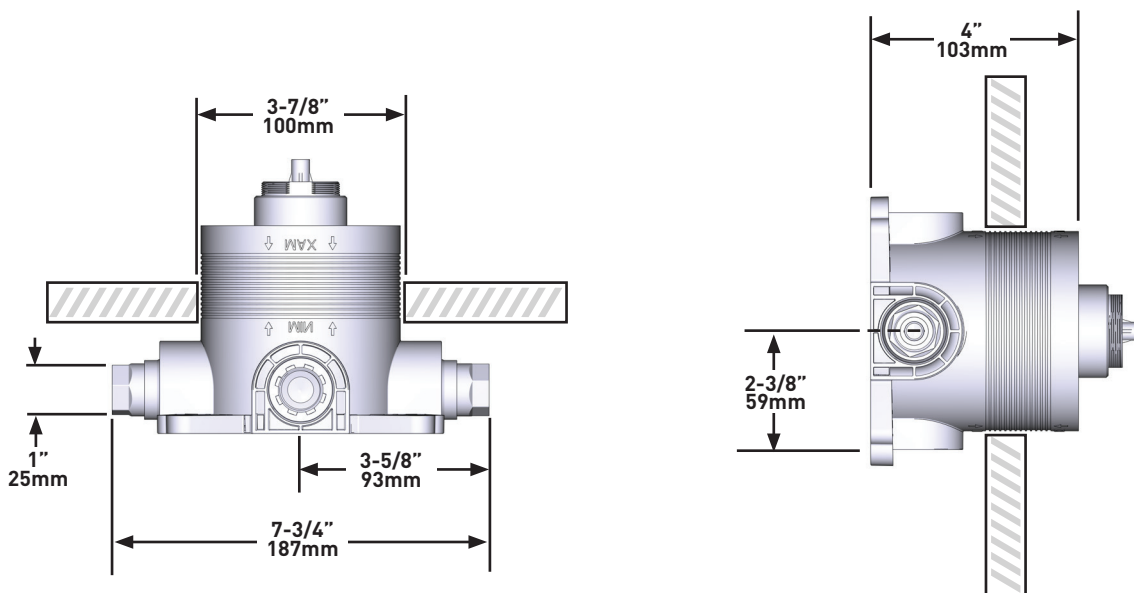
GARANTIE

- Weitere Informationen unter www.houseofrohl.uk



2-Wege Typ T/P Koaxial-Unterputzventil

MODELLE: R23-EM-IB



For care and cleaning, product warranty, and additional information contact:

US Customers

U.S.A.
houseofrohl.com/support
1-800-777-9762

QUEBEC / MARITIMES / WESTERN CANADA
QUÉBEC / MARITIMES / OUEST CANADIEN
QUEBEC / MARITIMOS / CANADA OCCIDENTAL
houseofrohl.ca/support
1-866-473-8442

Canadian Customers

ONTARIO
houseofrohl.ca/support
1-800-287-5354

EMEA Customers

UNITED KINGDOM
www.houseofrohl.uk
01952 221100

Riobel

PERRIN & ROWE
LONDON



victoria ⊕ albert®

ROHL



HOUSE OF ROHL

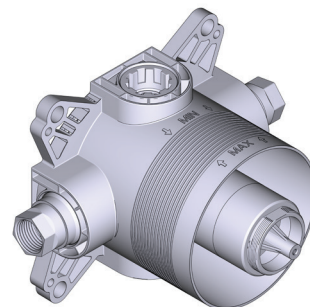
SPECIFICHE

DESCRIZIONE

- Tappo di prova
- Valvola di servizio
- Solo ruvido
- Due uscite G 1/2"
- Gruppo miscelatore corrispondente necessario a completamento
- Ingresso femmina da G1/2"

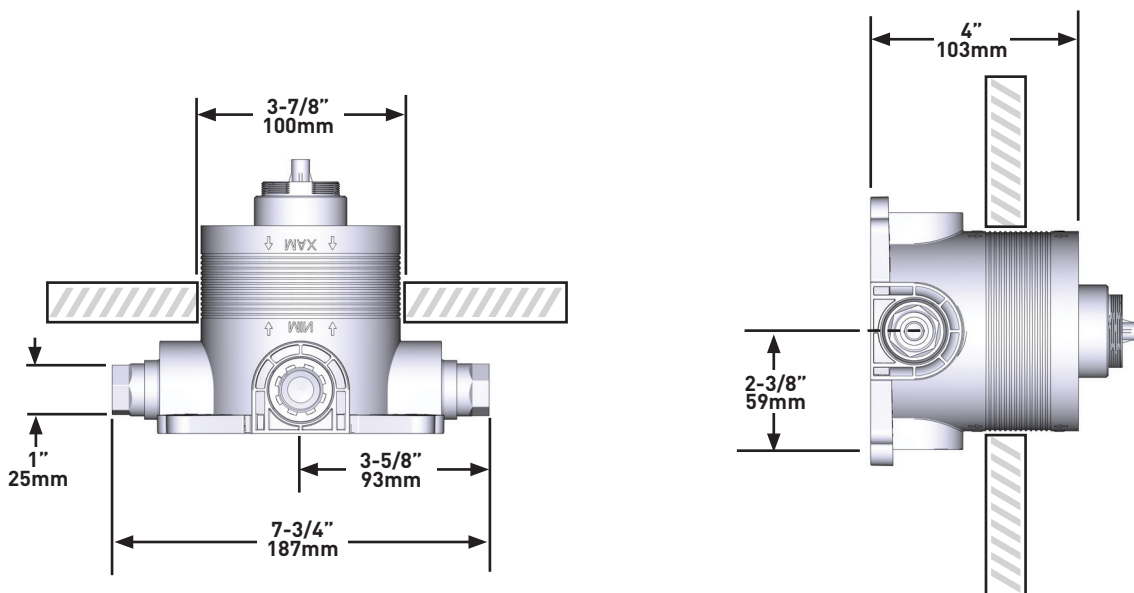
GARANZIA

- Per maggiori informazioni visita www.houseofrohl.uk



Copertura valvola coassiale a 2 vie di tipo T/P parte incasso

MODELLE: R23-EM-IB



For care and cleaning, product warranty, and additional information contact:

US Customers

U.S.A.
houseofrohl.com/support
 1-800-777-9762

QUEBEC / MARITIMES / WESTERN CANADA
 QUÉBEC / MARITIMES / OUEST CANADIEN
 QUEBEC / MARITIMOS / CANADA OCCIDENTAL
houseofrohl.ca/support
 1-866-473-8442

Canadian Customers

ONTARIO
houseofrohl.ca/support
 1-800-287-5354

EMEA Customers

UNITED KINGDOM
www.houseofrohl.uk
 01952 221100

Riobel

PERRIN & ROWE
LONDON



victoria ⊕ albert®

ROHL



HOUSE OF ROHL

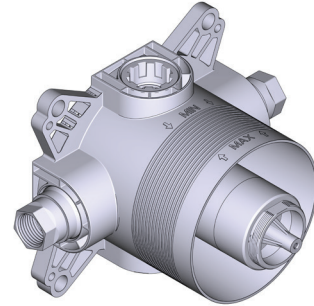
ESPECIFICACIONES

DESCRIPCIÓN

- Tapa de prueba
- Válvula de mantenimiento
- Cuerpo empotrado
- Dos salidas G 1/2"
- Placa embellecedora necesaria para completar la instalación
- Entrada hembra G1/2"

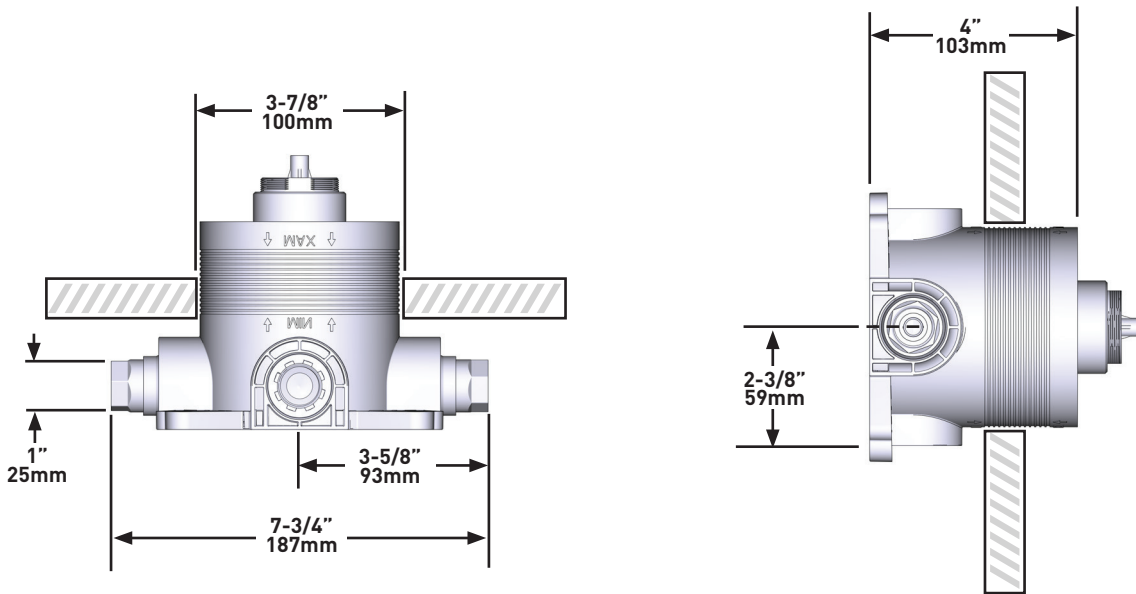
GARANTÍA

- Para más información, visite www.houseofrohl.uk



Cuerpo empotrado de 2 entradas para cartucho coaxial tipo T/P

MODELOS: R23-EM-IB



For care and cleaning, product warranty, and additional information contact:

US Customers

U.S.A.
houseofrohl.com/support
 1-800-777-9762

QUEBEC / MARITIMES / WESTERN CANADA
 QUÉBEC / MARITIMOS / OUEST CANADIEN
 QUEBEC / MARITIMOS / CANADA OCCIDENTAL
houseofrohl.ca/support
 1-866-473-8442

Canadian Customers

ONTARIO
houseofrohl.ca/support
 1-800-287-5354

EMEA Customers

UNITED KINGDOM
www.houseofrohl.uk
 01952 221100





HOUSE OF ROHL

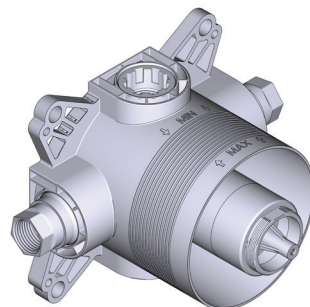
SPECIFICATIES

BESCHRIJVING

- Test kap
- Afsluitklep
- Alleen inbouwdeel
- Twee G 1/2" aansluitingen
- Bijbehorende trim vereist om af te werken
- G1/2" binnendraadse inlaat

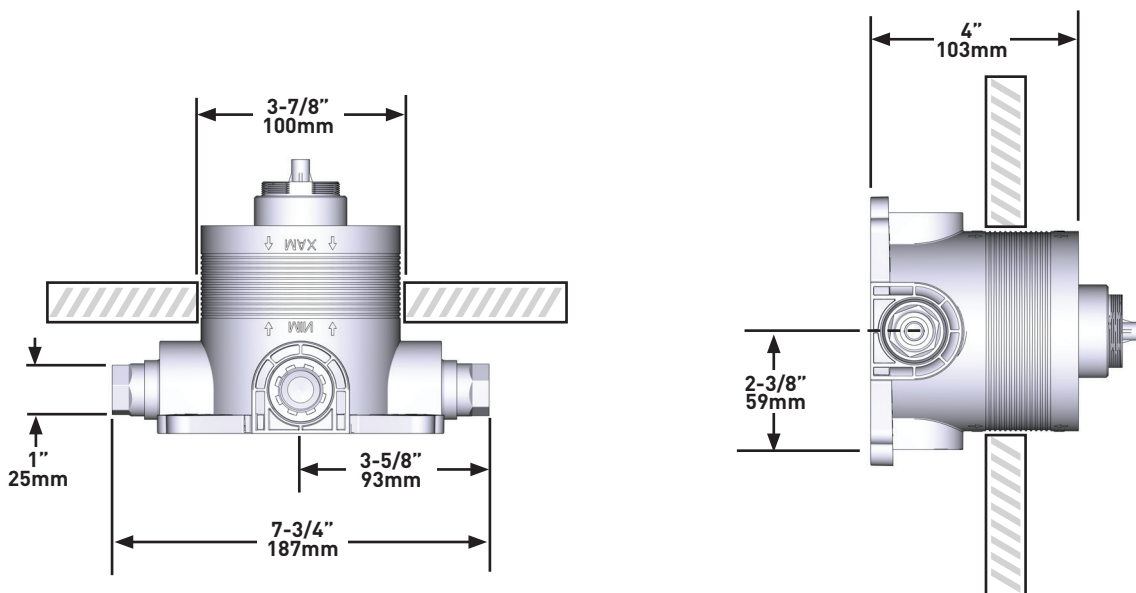
GARANTIE

- Voor meer informatie, bezoek www.houseofrohl.uk



2-weg Type T/P coaxiale klep ruw

MODELLEN: R23-EM-IB



For care and cleaning, product warranty, and additional information contact:

US Customers

U.S.A.
houseofrohl.com/support
 1-800-777-9762

QUEBEC / MARITIMES / WESTERN CANADA
 QUÉBEC / MARITIMES / OUEST CANADIEN
 QUEBEC / MARITIMOS / CANADA OCCIDENTAL
houseofrohl.ca/support
 1-866-473-8442

Canadian Customers

ONTARIO
houseofrohl.ca/support
 1-800-287-5354

EMEA Customers

UNITED KINGDOM
www.houseofrohl.uk
 01952 221100

Riobel

PERRIN & ROWE
LONDON



victoria ⊕ albert®

ROHL